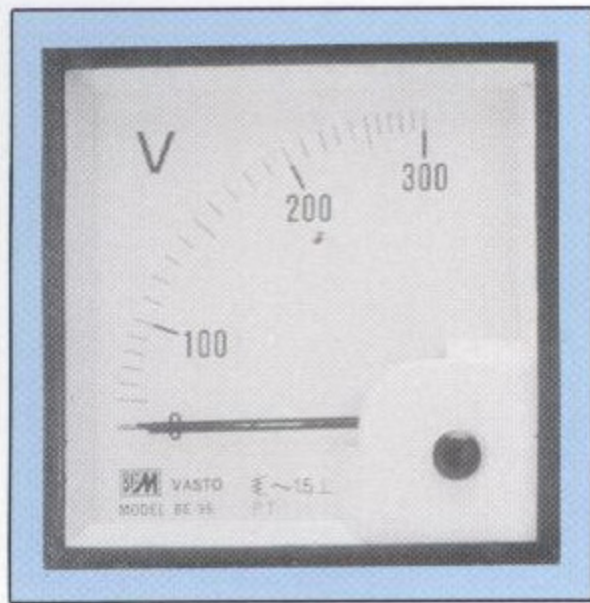
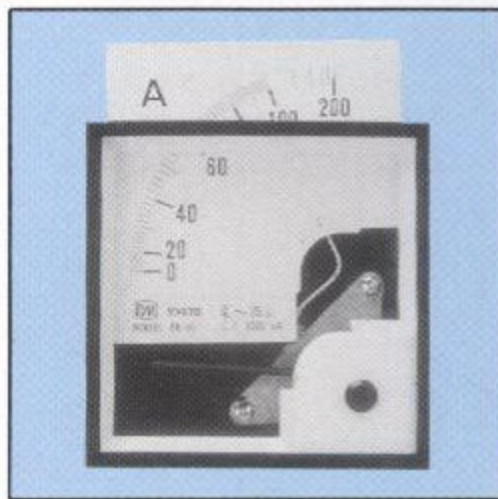


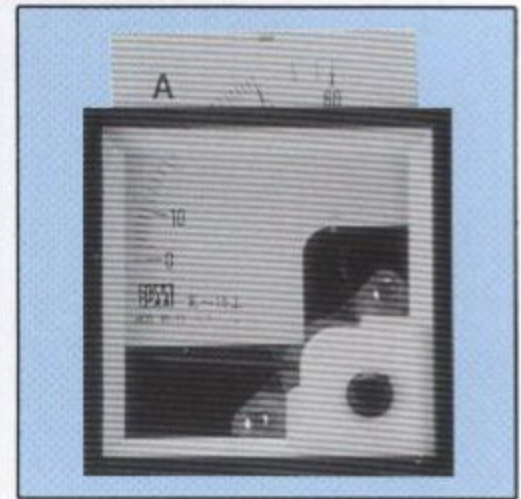
SWITCHBOARD METER



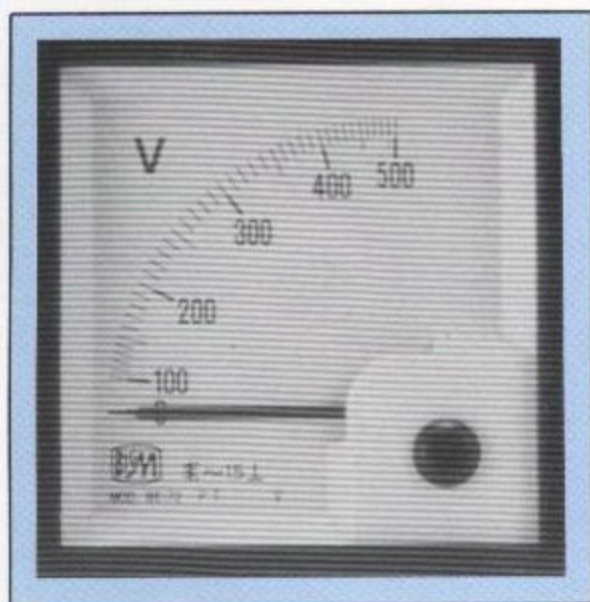
BE-96.V



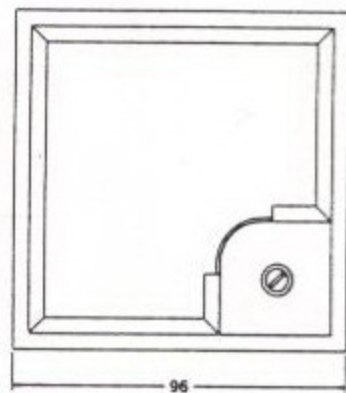
BE-96.A



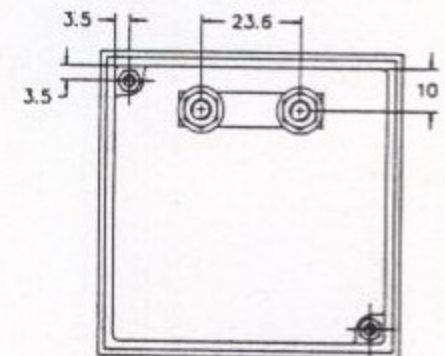
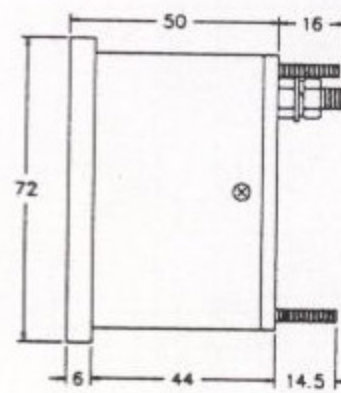
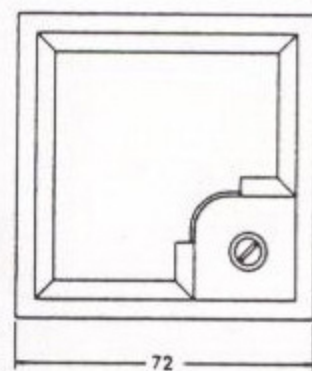
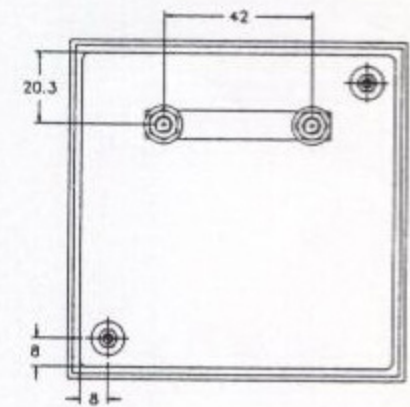
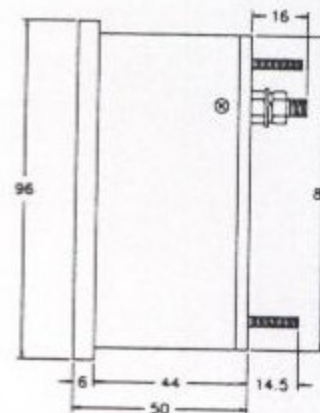
BE-72.A



BE-72.V



PANEL CUT-OUT



BE-96.A BE-96.V

BE-72.A BE-72.V

MEASURING RANGES:

MOVING COIL TYPE :

100 μ A—50A DC

3V—600V DC

MOVING IRON TYPE :

1A—60A AC

150V—600V AC

RECTIFIER TYPE :

3V—600V AC

1A—5A AC

ACCURACY: Class 1.5%

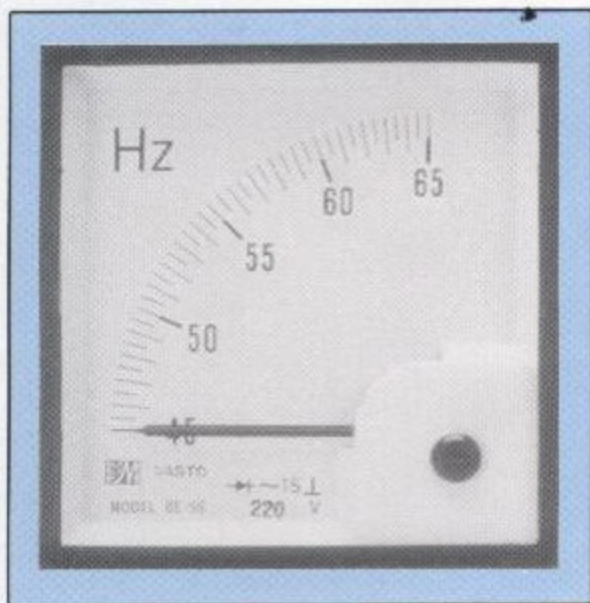
AC AMPERE OVERLOAD

SCALE: 200%, 300%, 500%,

DC Ammeters above 50A require a basic 50mV meter combined with an external shunt.

AC Ammeters above 100A require a basic 5A meter combined with an external CT.

AC Voltmeters above 600 Volts require a basic 150V meter combined with an external PT.



BE-96.Hz

BE-72.Hz

BE-96.Hz

ACCURACY: Class 1.5%

WORKING POSITION: Vertical.

RATED VOLTAGE: 110V, 220V, 380V, 500V.

LIMIT OF VOLTAGE FLUCTUATION: $\pm 20\%$.

CONSUMPTION: Max. 15mA.

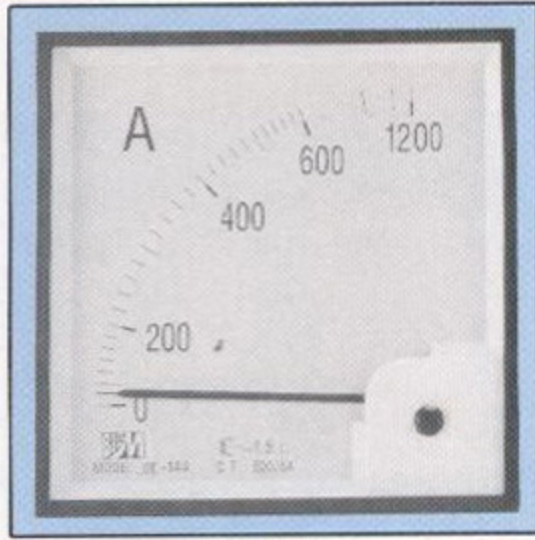
TEST VOLTAGE: 2KV, 50 c/s.

MEASURING RANGE: 45—65 c/s.

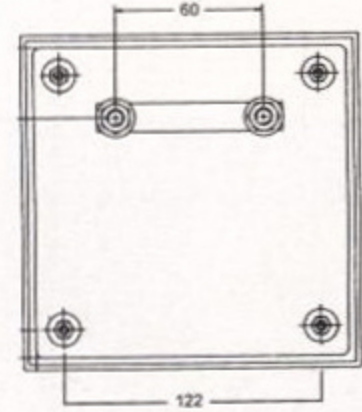
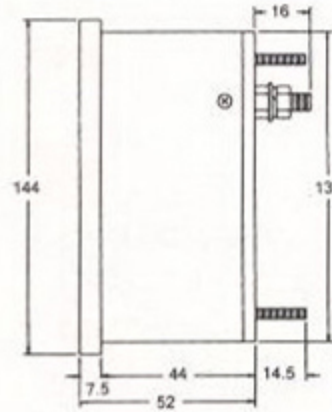
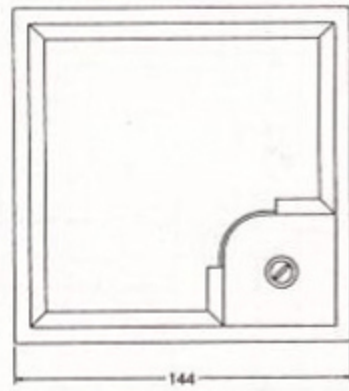


BE-72.Hz

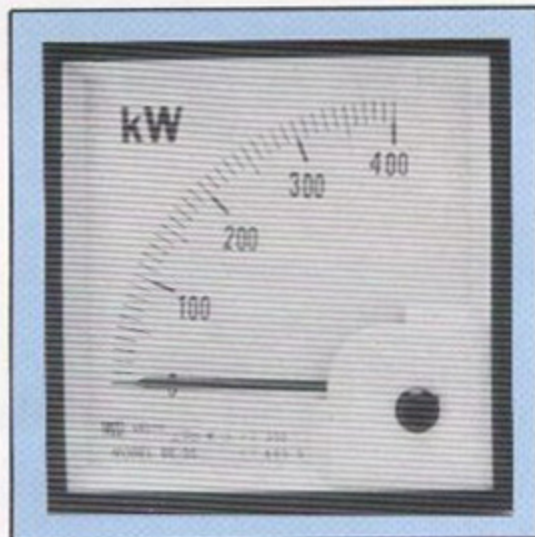
SWITCHBOARD METER



BE-144



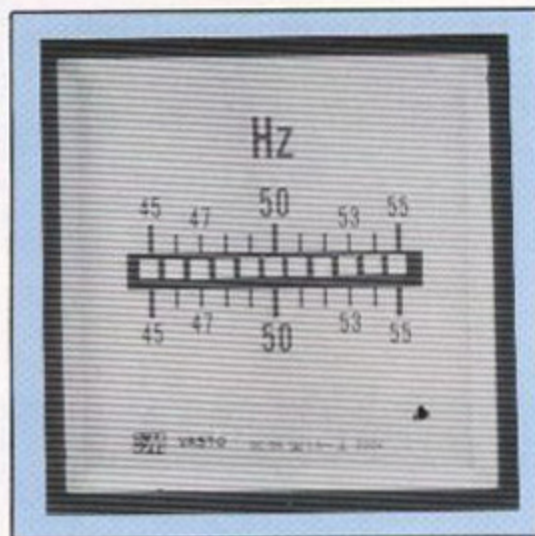
BE-144 available for Ammeter, Voltmeter, Frequency meter, Power Factor meter and Kilowatts meter same specifications as BE-96



BE-96.KW

BE-96.KW: Kilowatts Meter
Voltage: 110V, 220V, 380V, 500V
Current: 1A, 5A for C.T.S.
Frequency: 50Hz, 60Hz
Accuracy: Class 1.5

For any rating other than listed above, use external current transformer and/or external potential transformer with a 110V/5A instrument



BE-96R.Hz

BE-96R.Hz Frequency Meter Vibrating reed type
BE-72R.Hz

In this meter, frequency is indicated by vibrating reeds. Each reed is tuned to a different value in the frequency span. Reed frequency meter are suitable for situations where exact values are not required. Readings are unaffected by waveform

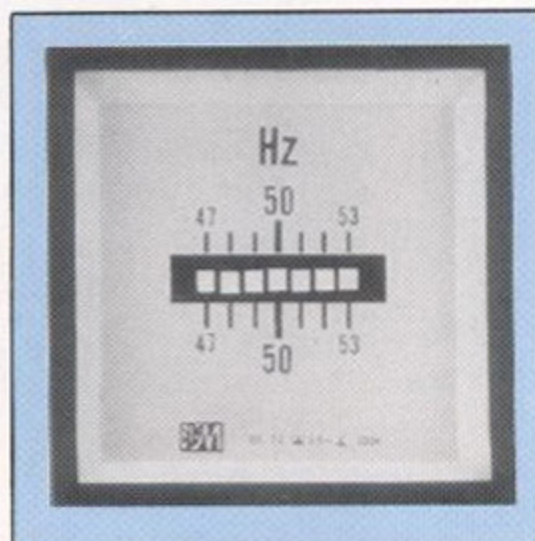
Accuracy: Class 1.5

Voltage: 100-125, 200-250, 380-440V, 100-110 for V.T. use.

Frequency spans: 7 reed: 47/53Hz, 57/63Hz (BE-72)

11 reed: 45/50/55 Hz, 55/60/65Hz (BE-96)

Burdens: 2.5VA max



BE-72R.Hz



BE-96.PF

BE-96.PF COS ϕ : Power Factor Meter

Voltage: 110V, 220V, 380V, 440V, 100-110V for V.T. use

Current: 1A, 5A for C.T.S.

For any rating other than those listed above, use external potential transformer with a 110V/5A instrument

Accuracy: 4 in phase angle

Composition: Glass window, ABS resin frame and case, PC glass fiber base mounting fitting included

Colour: Black base and frame, white scale plate and meter body

Pointer: Stick shape in black colour