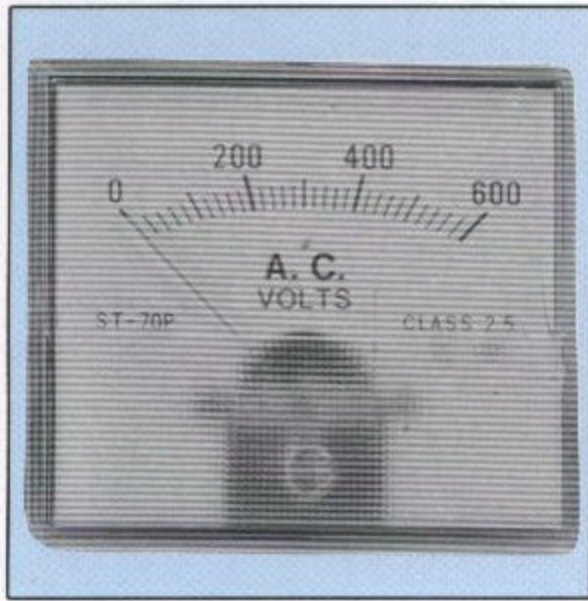
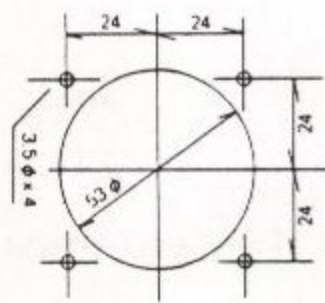


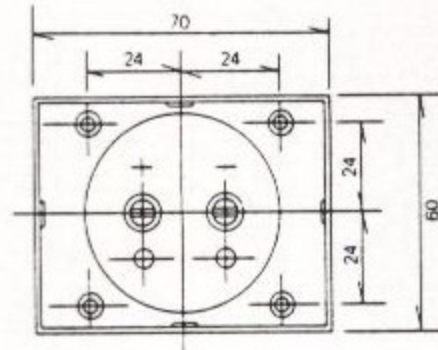
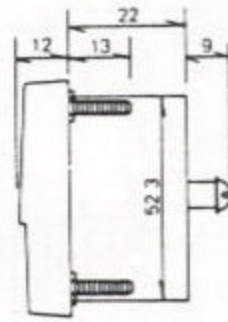
PANEL METER



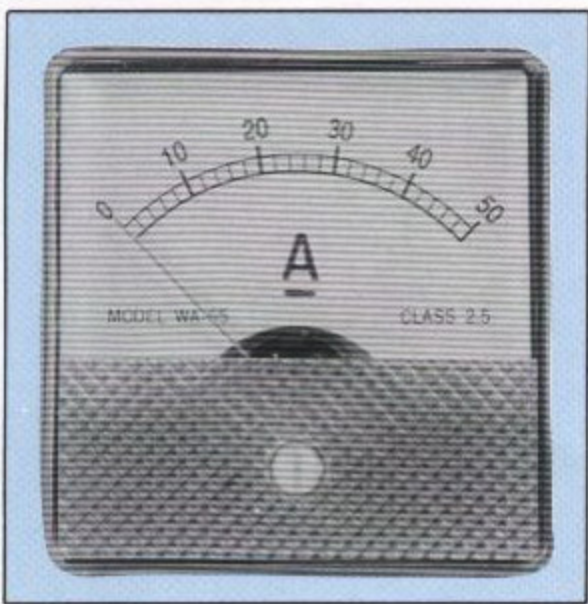
BP-70P



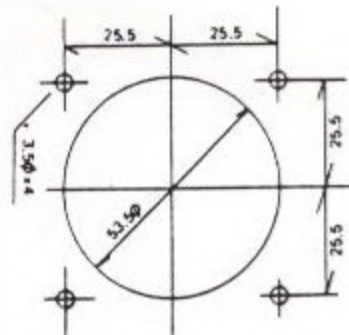
PANEL CUT-OUT



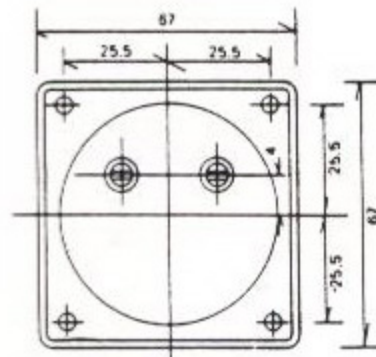
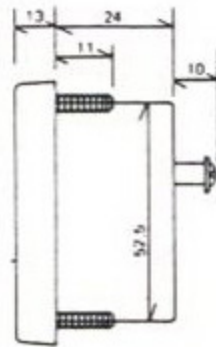
Measuring Range:
 Moving Coil Type:
 50 μ A—30A DC
 3V—1000V DC
 Moving Iron Type:
 50mA—30A AC
 150V—500V AC
 Rectifier Type:
 3V—500V AC
 Accuracy: Class 2.5%



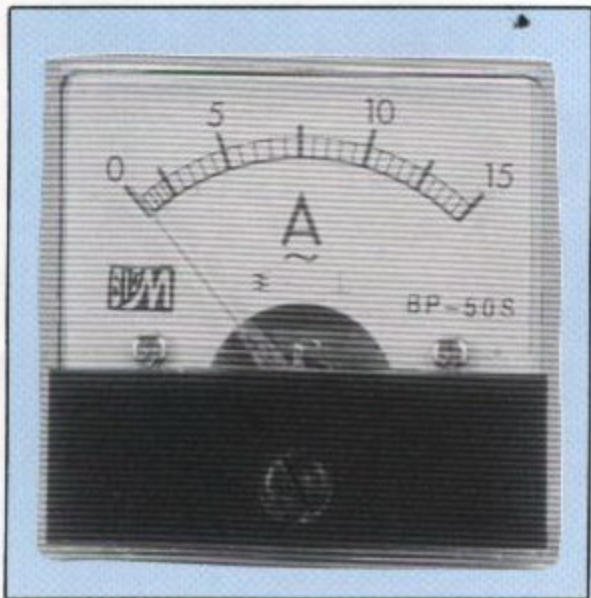
BP-65



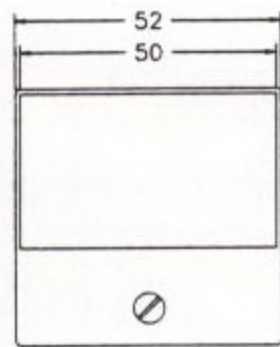
PANEL CUT-OUT



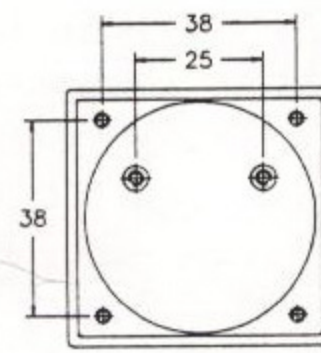
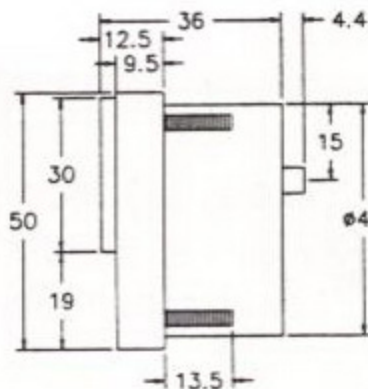
Measuring Range:
 Moving Coil Type:
 50 μ A—30A DC
 3V—1000V DC
 Moving Iron Type:
 50mA—30A AC
 150V—500V AC
 Rectifier Type:
 3V—500V AC
 Accuracy: Class 2.5%



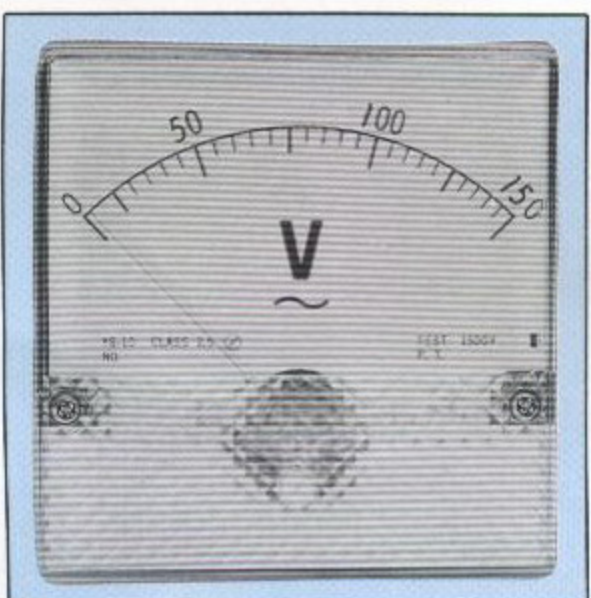
BP-50S



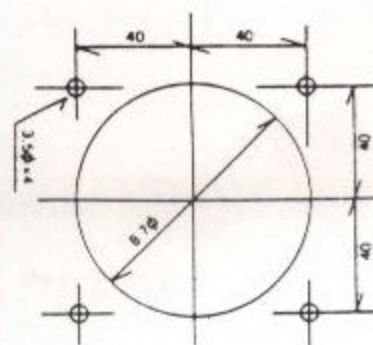
PANEL CUT-OUT



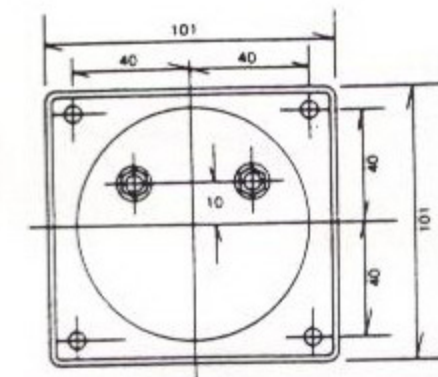
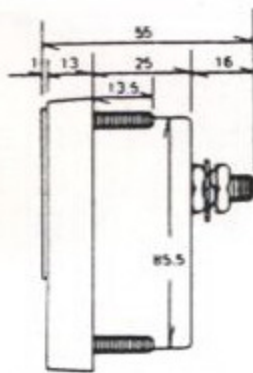
Measuring Range:
 Moving Coil Type:
 50 μ A—10A DC
 3V—1000V DC
 Moving Iron Type:
 50mA—20A AC
 150V—300V AC
 Rectifier Type:
 3V—500V AC
 Accuracy: Class 2.5%



BP-100P

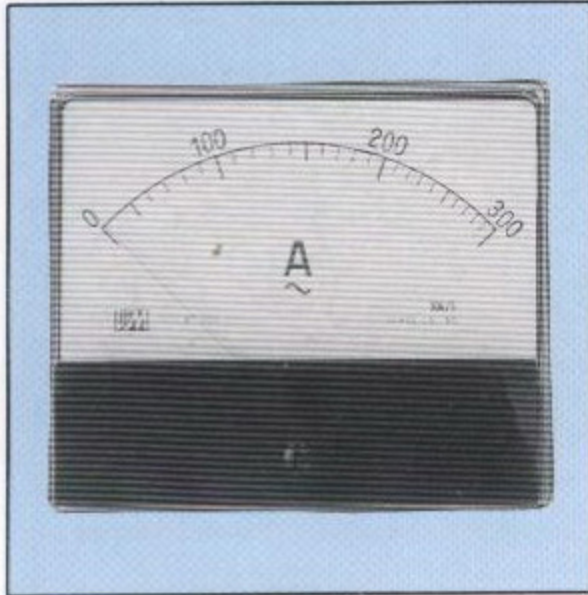


PANEL CUT-OUT

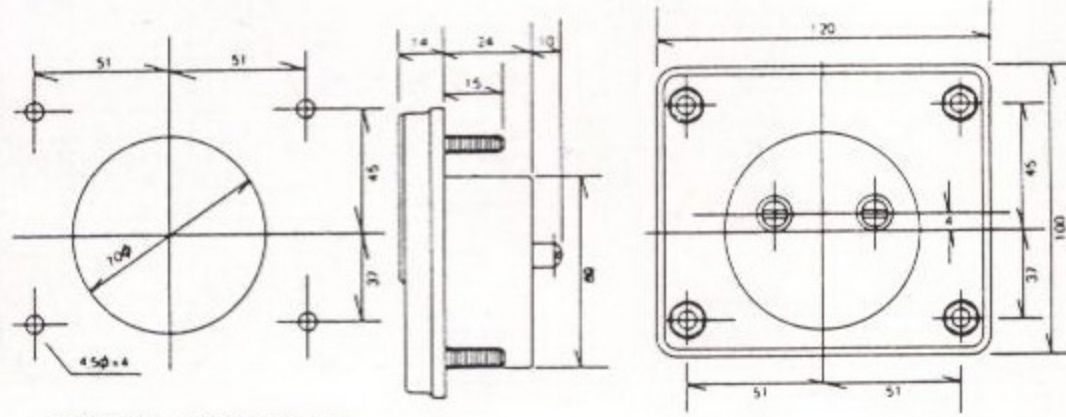


Measuring Range:
 Moving Coil Type:
 50 μ A—30A DC
 3V—1000V DC
 Accuracy: Class 1.5%
 Moving Iron Type:
 50mA—30A AC
 150V—500V AC
 Rectifier Type:
 3V—500V AC
 Accuracy: Class 2.5%

PANEL METER



BP-120S

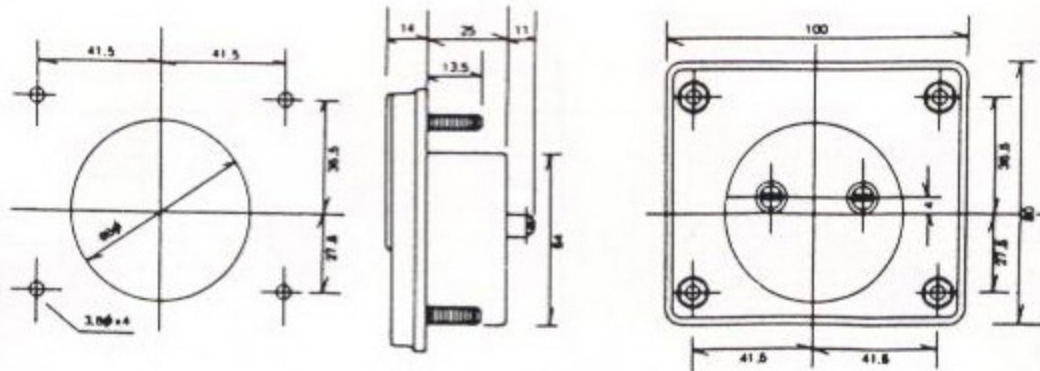


PANEL CUT-OUT

Measuring Range:
 Moving Coil Type:
 50 μ A—50A DC
 3V—1000V DC
 Accuracy: Class 1.5% 2.5%
 Moving Iron Type:
 50mA—50A AC
 150V—500V AC
 Rectifier Type:
 3V—500V AC
 Accuracy: Class 2.5%

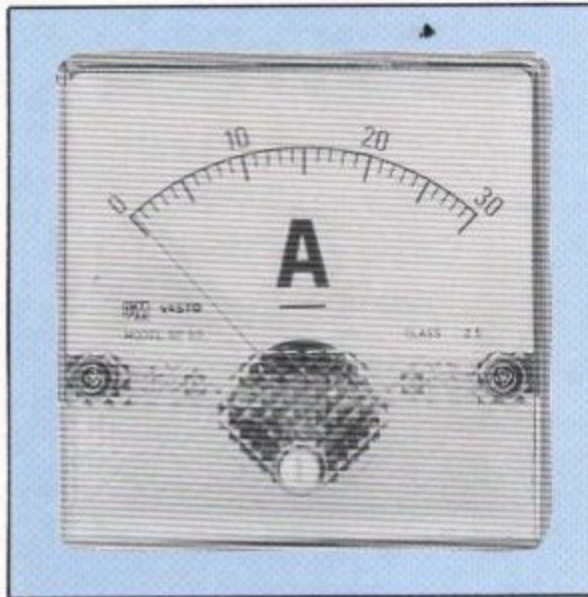


BP-100S

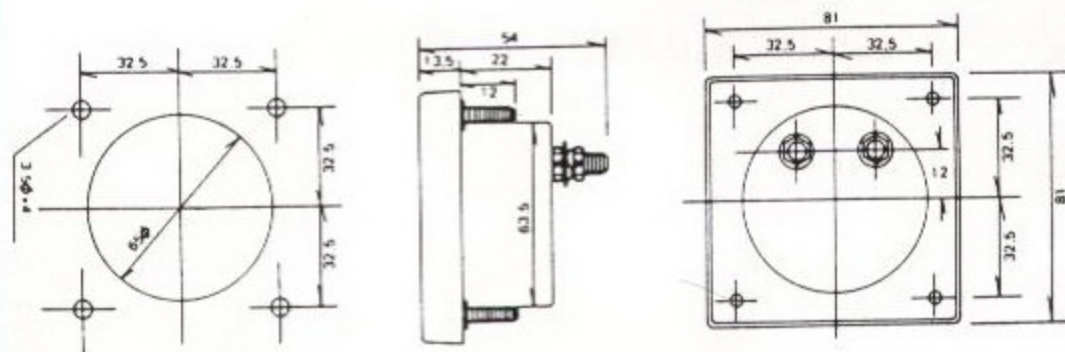


PANEL CUT-OUT

Measuring Range:
 Moving Coil Type:
 50 μ A—50A DC
 3V—1000V DC
 Accuracy: Class 1.5% 2.5%
 Moving Iron Type:
 50mA—50A AC
 150V—500V AC
 Rectifier Type:
 3V—500V AC
 Accuracy: Class 2.5%

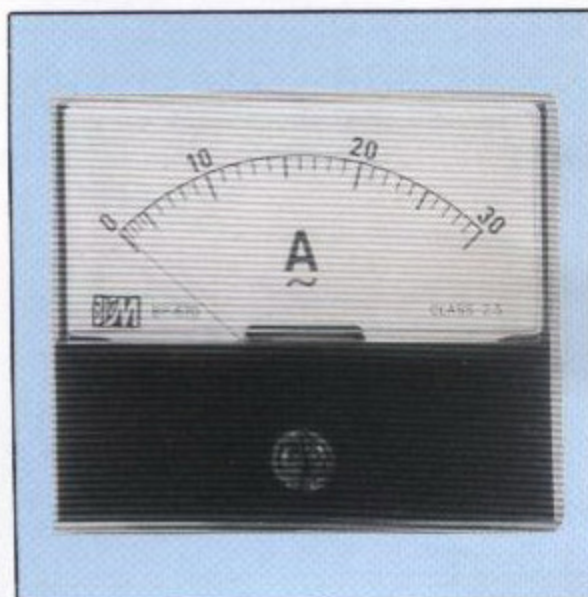


BP-80

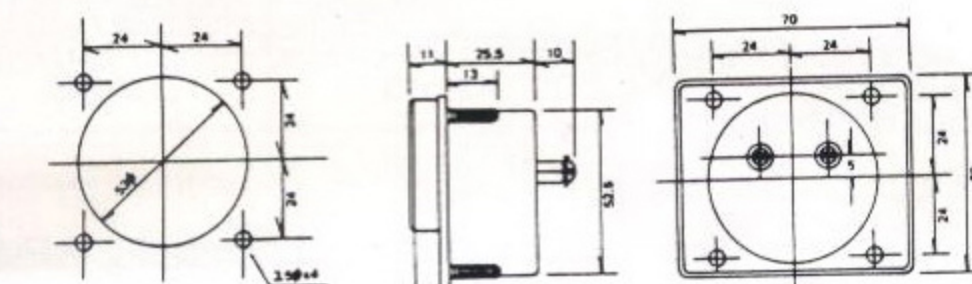


PANEL CUT-OUT

Measuring Range:
 Moving Coil Type:
 50 μ A—50A DC
 3V—1000V DC
 Accuracy: Class 1.5% 2.5%
 Moving Iron Type:
 50mA—50A AC
 150V—500V AC
 Rectifier Type:
 3V—500V AC
 Accuracy: Class 2.5%



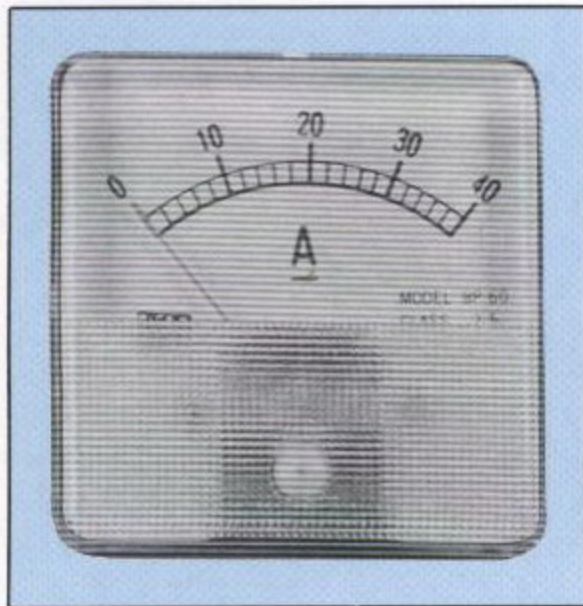
BP-670



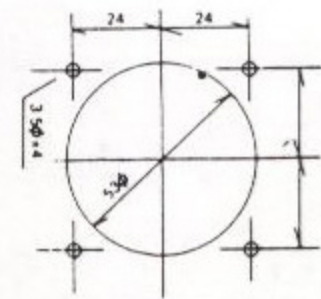
PANEL CUT-OUT

Measuring Range:
 Moving Coil Type:
 50 μ A—30A DC
 3V—1000V DC
 Moving Iron Type:
 50mA—30A AC
 150V—500V AC
 Rectifier Type:
 3V—500V AC
 Accuracy: Class 2.5%

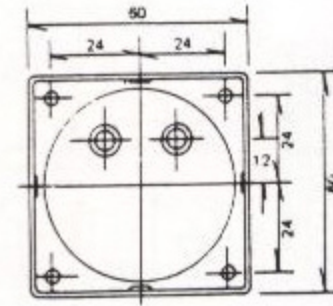
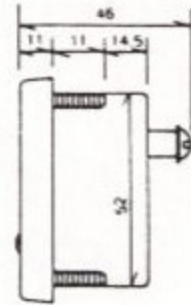
PANEL METER



BP-60



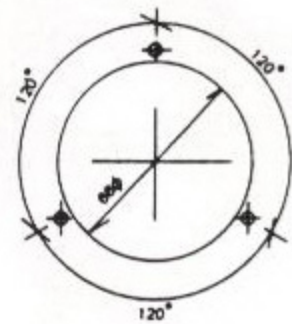
PANEL CUT-OUT



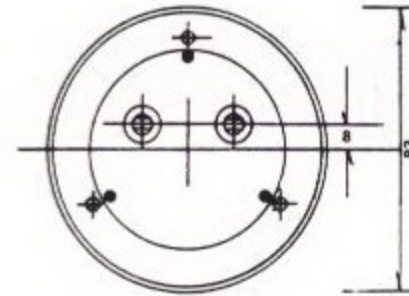
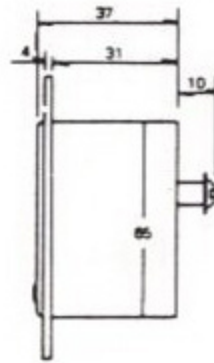
Measuring Range:
 Moving Coil Type:
 50 μ A—30A DC
 3V—1000V DC
 Moving Iron Type:
 50mA—30A AC
 150V—500V AC
 Rectifier Type:
 3V—500V AC
 Accuracy: Class 2.5%



BO-65(MO-65)



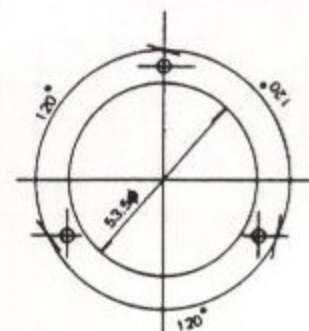
PANEL CUT-OUT



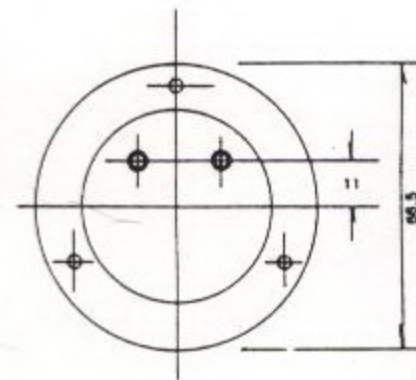
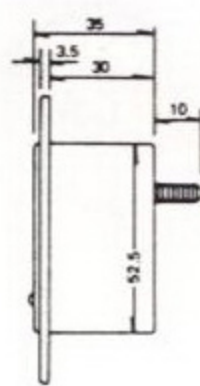
Measuring Range:
 Moving Coil Type:
 50 μ A—50A DC
 1V—1000V DC
 Moving Iron Type:
 50mA—50A AC
 150V—500V AC
 Accuracy: Class 2.5%



BO-52



PANEL CUT-OUT



Moving Iron Type:
 50mA—30A AC
 150V—500V AC
 Accuracy: Class 2.5%

CASE AND COMPOSITION: Acrylic resin front and bakelite case. for BP-120S, BP-100S, BP-100P, BP-80, BP-70P, BP-65, BP-60, BP-45; BP-670, Glass Window and ABS RESIN for BP-680.

Four Stud mounting.

Acrylic Resin front and ABS Resin case for BP-670R.

Two Stud Mounting.

COLOUR: Black case, white scale plate.

POINTER: Tube or knife type, colour in black or red.