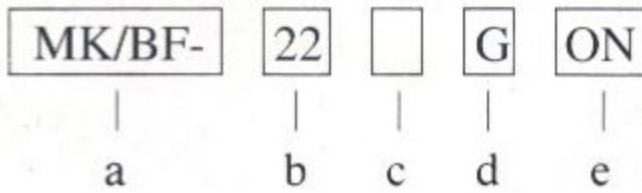


Push Button Switches

* Designation



* Description

a	b	c	d	e
Type	Mtg Dia.	Contact	Colour	Name Plate
	22 = 22 or 25mm. 30 = 30mm.	NA = 1a1b 1a 1b 2 = 2a2b 2a or 2b	R = Red BL = Blue G = Green B = Black W = White Y = Yellow	ON, OFF, UP, DOWN FWD, REV, START STOP, AUTO, RESET HAND, RUN, INCH A-Z, 0-9

* Standard Contact 1a1b.


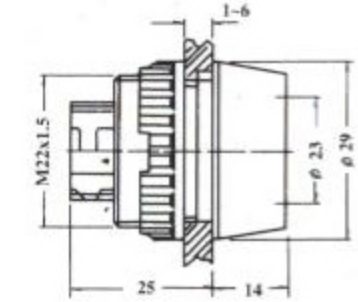

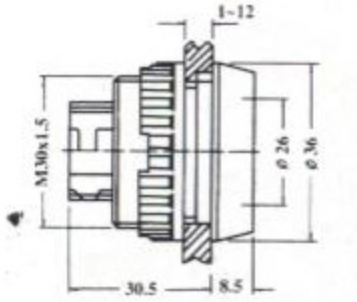

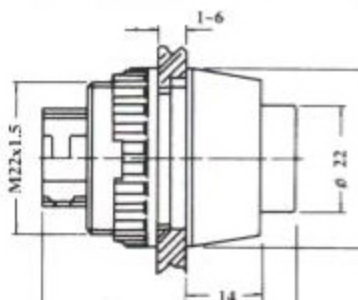

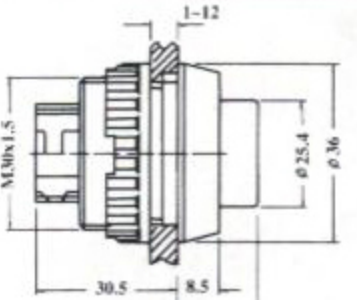

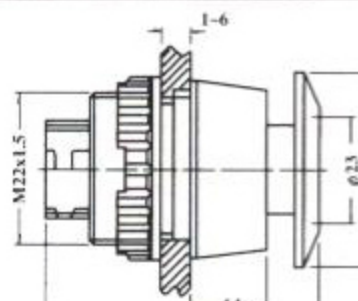

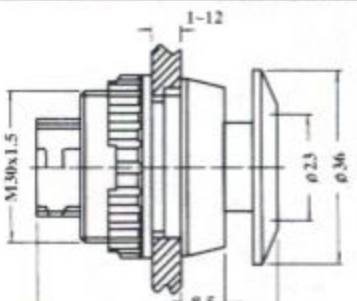

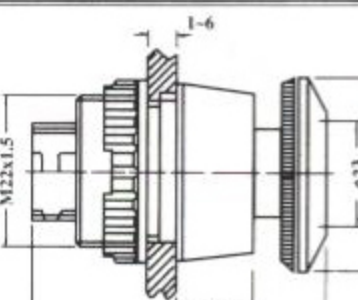

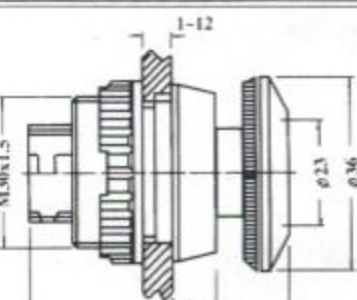
* Contact Rating:

Voltage AC	125V	250V	440V	600V
Inductive Load	6A	4A	2A	1A
Resistive Load	10A	6A	4A	1.5A

Voltage DC	125V	250V	380V
Inductive Load	0.5A	0.2A	0.1A
Resistive Load	2A	0.6A	0.2A

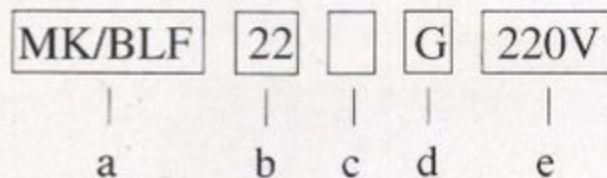
- * Compliance with IEC 144 CLASS IP65
- * Ambient Temperature (-20°C) - (+60°C)
- * Humidity 45-85% RH

- * Contact Resistance 50mOhm max. (Initial Value)
- * Insulation Resistance 100mOhm min. At 500VAC
- * Dielectric Strength 2500VAC, 50/60Hz for 1 Minute.

<p>MK/BF-22</p> 		<p>MK/BF-30</p> 	
<p>MK/BFP-22</p> 		<p>MK/BFP-30</p> 	
<p>MK/EA-22</p> 		<p>MK/EA-30</p> 	
<p>MK/E-22 Latching Reset</p> 		<p>MK/E-30 Latching Reset</p> 	

Illuminated Push Button Switches

* Designation

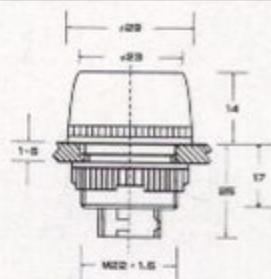


- * Standard Contact 1a1b.
- * C/W BA9S Neon Bulb.

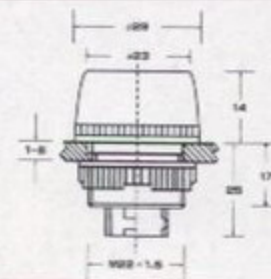
* Description

a	b	c	d	e
Type	Mtg Dia.	Contact	Colour	Voltage
	22 = 22 or 25mm. 30 = 30mm.	NA = 1a1b 1a 1b 2 = 2a2b 2a or 2b	R = Red G = Green BL = Blue W = White Y = Yellow	AC110V AC220V AC380V AC440V

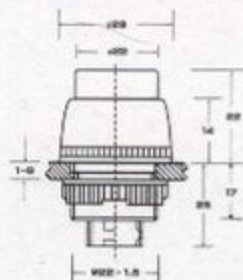
MK/BLF-22



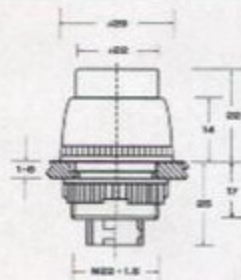
MK/BLF-30



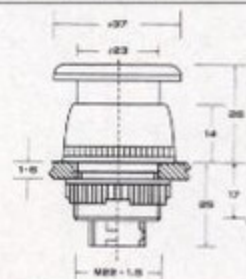
MK/BLFP-22



MK/BLFP-30



MK/ELA-22



MK/ELA-30

