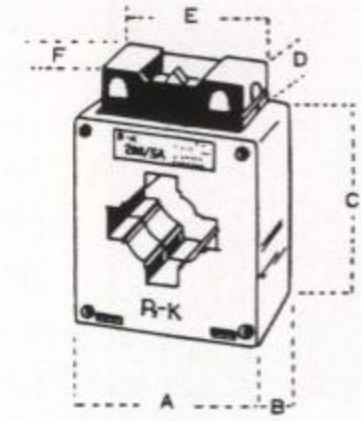
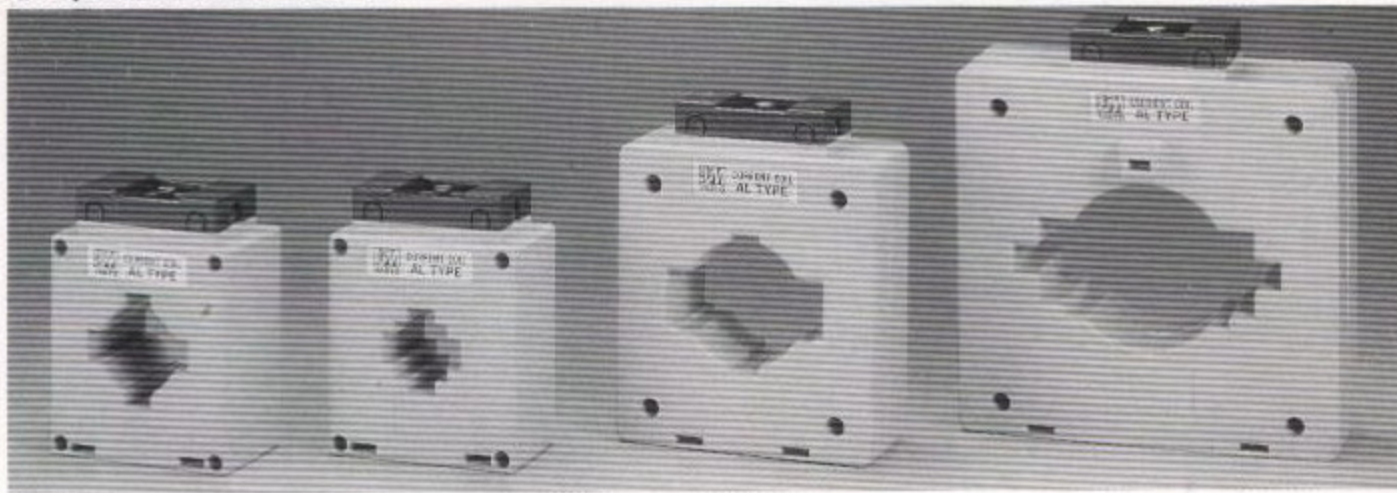


CURRENT TRANSFORMER

SQUARE TYPE



AL-30CT AL-40CT AL-60CT AL-100CT

Model	Rated Current(A) Primary/ Secondary	Window Dimension	Rate Pload (VA)	Accuracy Class	Rated Voltage	Dimension In mm					
						A	B	C	D	E	F
AL-30CT	30/5A...500/5A	30x10mm	2.5	1.0	600V	75	43	82	17	60	31
AL-40CT	30/5A...500/5A	41x10mm	5			75	43	82	17	60	31
AL-60CT	400/5A...800/5A	60x20mm	10			101	45	112	17	60	31
AL-100CT	800/5A...3000/5A	100x10mm	15			145	45	139	17	60	31

General electric characteristic.

Rate burden: 15VA.

Rate Primary current: 10~2500A .

Rate Secondary Current:5A .

Frequency: 50/60Hz.

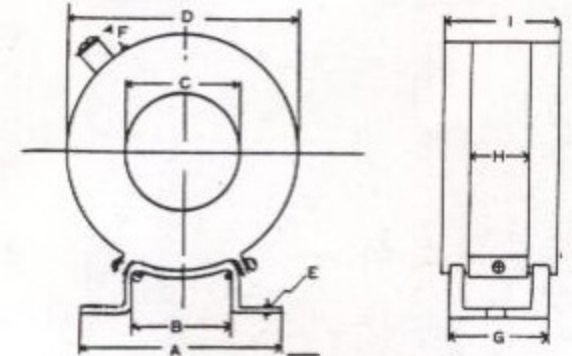
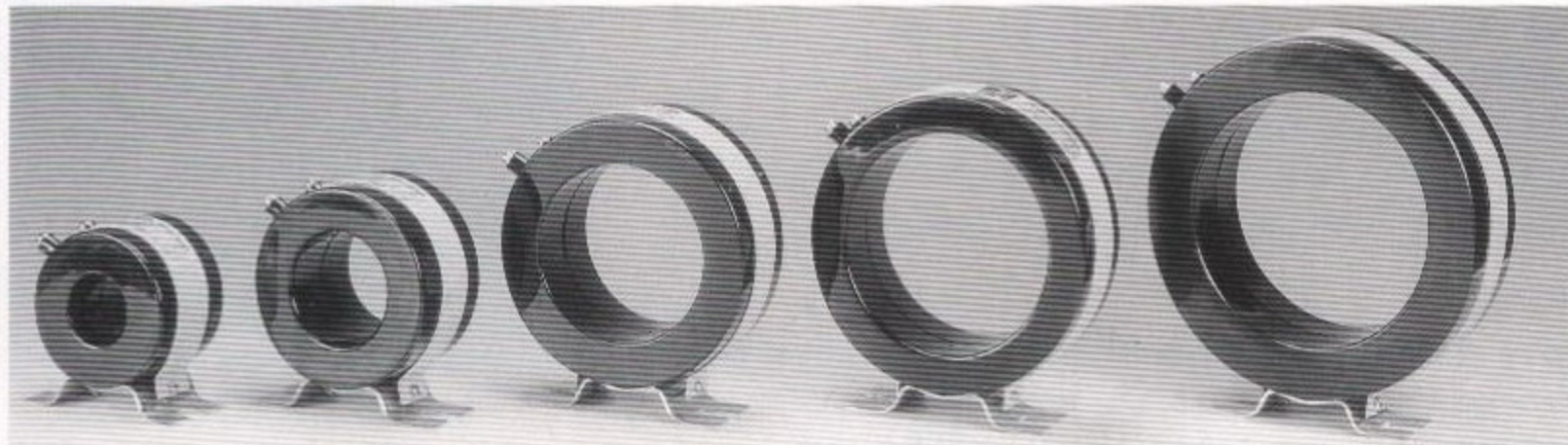
System voltage: 600V.

Thermal short-time current rating: 40.

Case material: ABS resin.

The other specifications are subject to your order.

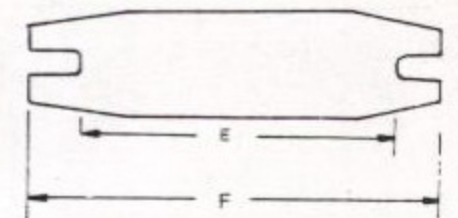
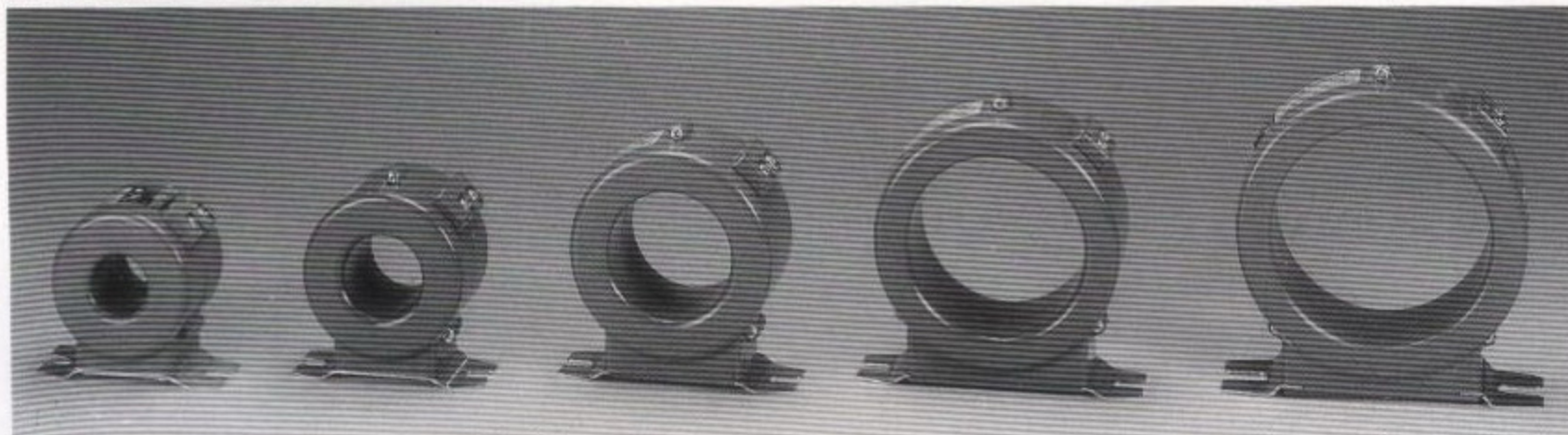
ROUND TYPE



CL-32CT CL-58CT CL-90CT CL-110CT CL-130CT

Model	Rated Current Rating(Amp)	Sec. Current(A)	Burden (A)	Accuracy	Power Strength	Dimension In mm								
						A	B	C	D	E	F	G	H	I
AL-32CT	10~400	5	15	1.0	40	90	44	35	78	2	13	45	25	53.5
AL-58CT	400~800	5	15	1.0	40	103	44	60	102	2	13	45	26	54.5
CL-90CT	800~1200	5	15	1.0	40	103	60	90	135	2	13	45	25	55.5
CL-110CT	1000~2500	5	15	1.0	40	103	60	110	151	2	13	45	25	55.5
CL-130CT	2000~10000	5	15	1.0	40	103	60	128	183	2	13	45	25	60

ROUND TYPE



CH-29CT CH-39CT CH-60CT CH-85CT CH-105CT

Model	Primary Current(A)	Secondary Current(A)	Rate Burden (VA)	Accuracy	Dimension In mm					
					A	B	C	D	E	F
CH-29CT	10~300	5	15	1.0	74	55	29	92	72	98
CH-39CT	400~600	5	15	1.0	80	55	39	102	72	98
CH-60CT	700~800	5	15	1.0	103	55	61	123	96	124
CH-85CT	900~1200	5	15	1.0	121	55	85	142	113	143
CH-105CT	1000~2500	5	15	1.0	141	55	105	162	113	143

