

Long Service Life and Large Breaking Capacity

FEATURES

- Models VZ-6 incorporate Model VM Micro Switches with rugged diecast cases.
- Available with various types of built-in switches (including split contact type, maintained operation type, magnetic blowout type) and various actuators.

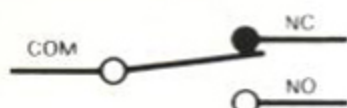
- 15A250VAC
- Degree of Protection: IEC IP67

SPECIFICATIONS

- RATINGS
- CHARACTERISTICS

REFER TO PAGE 14

- CONTACT CONFIGURATION

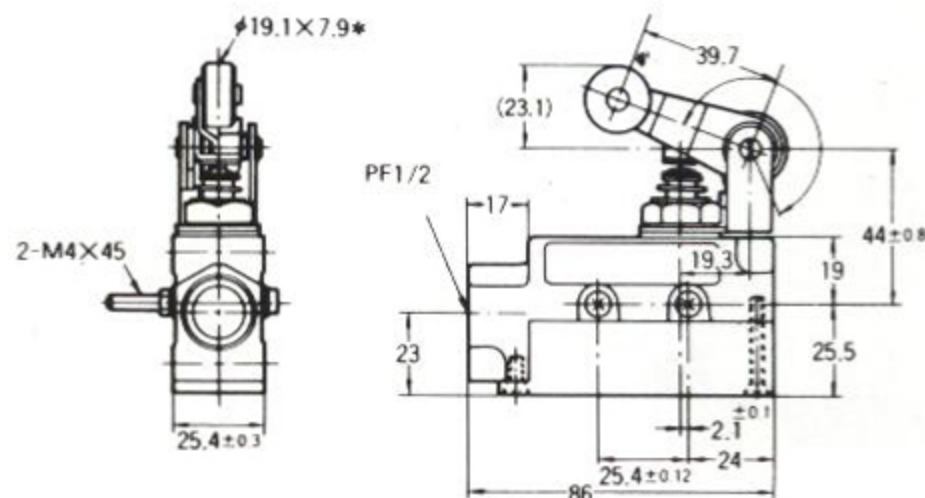


OPERATING CHARACTERISTICS

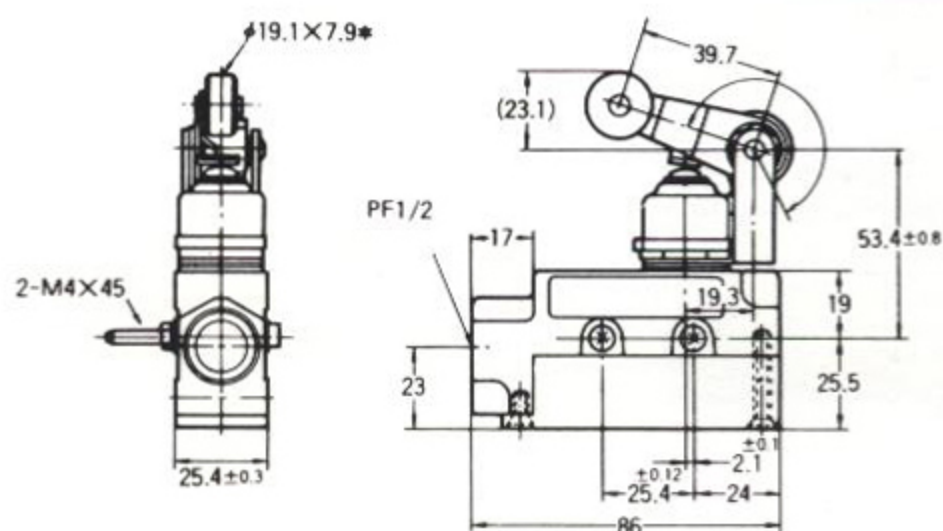
Type	VZ-6001	VZ-6002	VZ-6003	VZ-6004	VZ-6043
OF max.	250 ~ 350g	250 ~ 350g		570g	570g
RF min.	114g	114g		170g	170g
PT max.	0.4mm	0.5mm		4mm	4mm
OT min.	5.5mm	3.6mm		6mm	6mm
MD max.	0.05mm	0.05mm		0.4mm	0.4mm
OP	38.2 ± 0.8mm	49.7 ± 1mm			

Type	VZ-6101	VZ-6102	VZ-6103	VZ-6104	VZ-6143
OF max.	800g	500g		640g	640g
RF min.	240g	100g		230g	230g
PT max.	2mm	1mm		5mm	5mm
OT min.	5mm	3.5mm		6mm	6mm
MD max.	0.1mm	0.12mm		0.4mm	0.4mm
OP	45.8 ± 0.8mm	49.7 ± 0.8mm			-

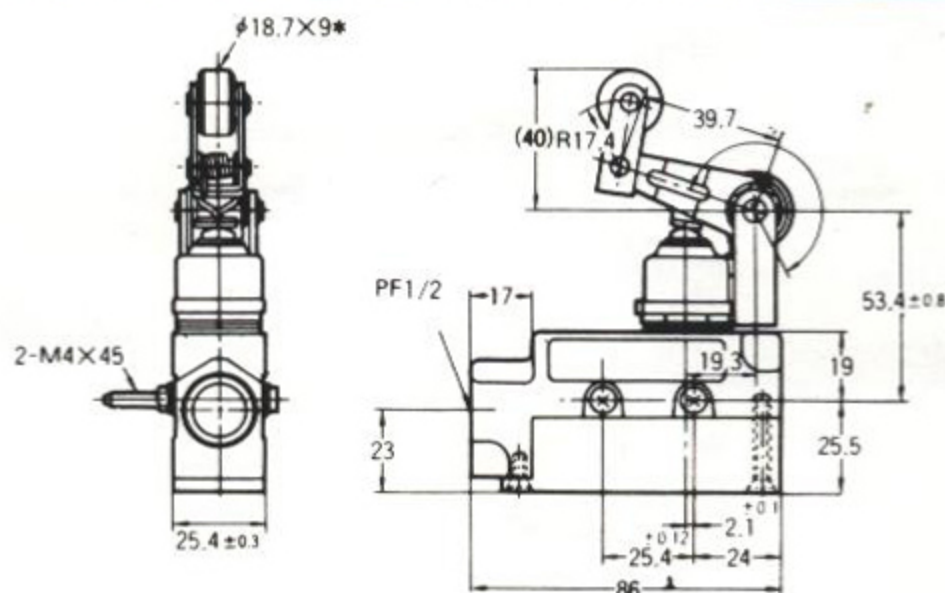
VZ-6004



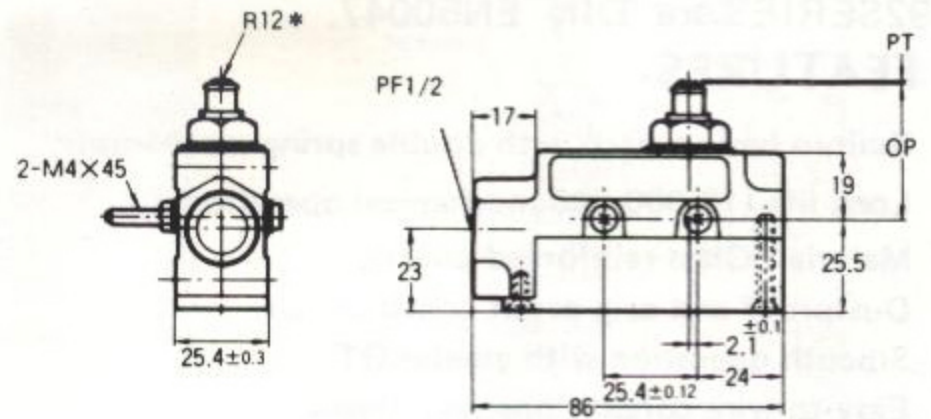
VZ-6104



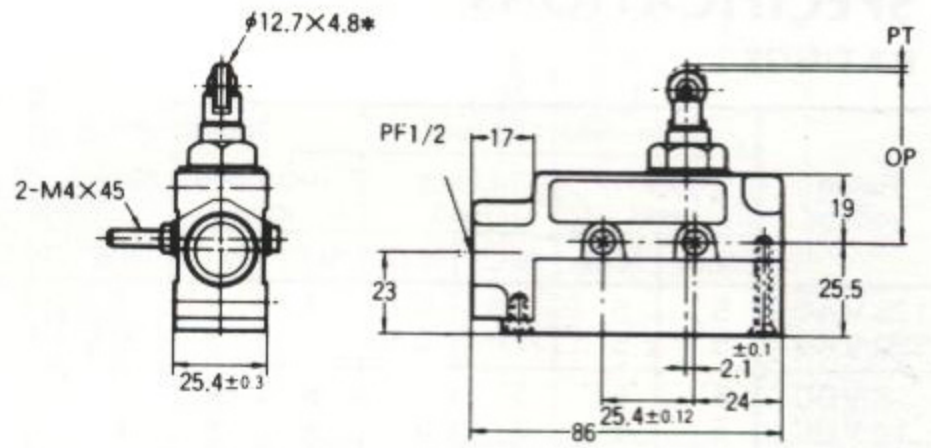
VZ-6143



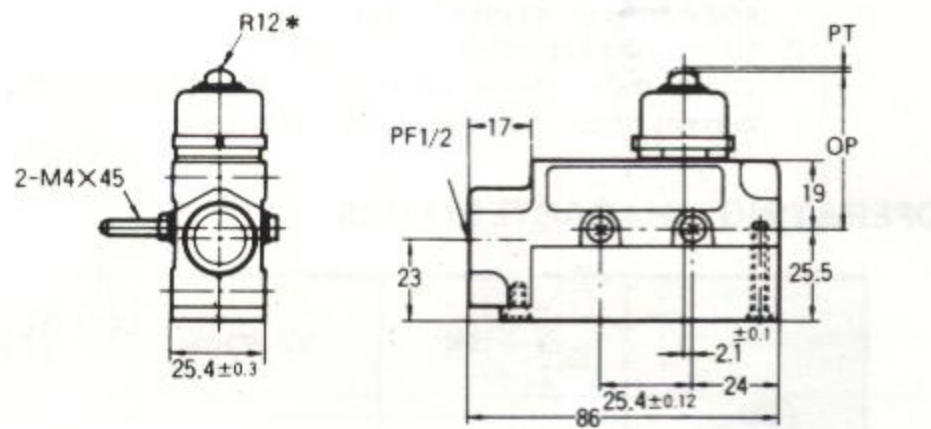
VZ-6001



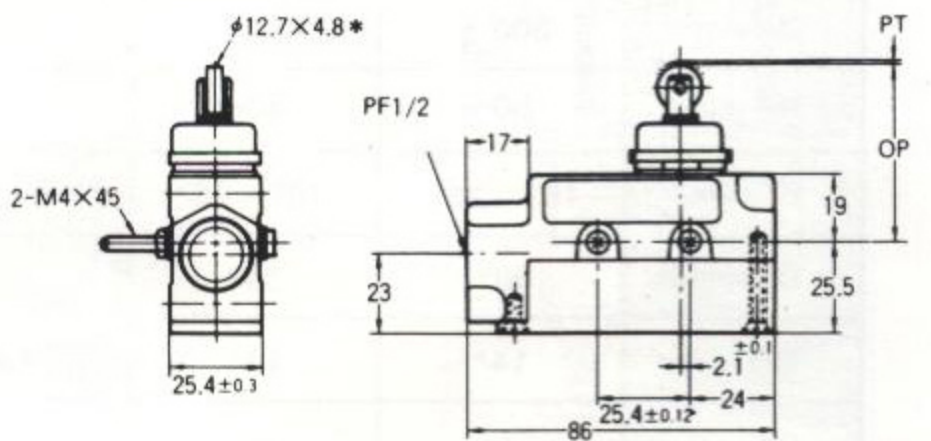
VZ-6002



VZ-6101



VZ-6102



VZ-6043

