

Economical, Miniature Limit Switch Boasting Rigid Construction

FEATURES

- Built-in basic switch with double spring mechanism
- Long life (10,000,000 mechanical operations)
- Highly rigid construction (Head and cover snugly fit in box)
- Dustproof and drip-proof construction
- Smooth operation with greater OT
- Easy-to-wire conduit opening design

SPECIFICATIONS

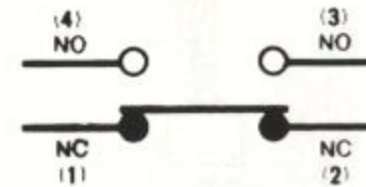
RATINGS

Rated voltage	Non-inductive load				Inductive load			
	Resistive load		Lamp load		Inductive load		Motor load	
	N.C.	N.O.	N.C.	N.O.	N.C.	N.O.	N.C.	N.O.
125 VAC	5	5	1.5	0.7	3	3	2	1
250 VAC	5	5	1	0.5	3	3	1.5	0.8
8 VDC	5	5	3	3	5	4	3	3
14 VDC	5	5	3	3	4	4	3	3
30 VDC	5	5	3	3	4	4	3	3
125 VDC	0.4	0.4						
250 VDC	0.2	0.2						

- NOTES: 1. Inductive load has a power factor of 0.4 min. (AC) and a time constant of 7msec. max. (DC).
 2. Lamp load has an inrush current of 10 times the steady-state current, while motor load has an inrush current of 6 times the steady-state current.

- 5A250VAC

CONTACT CONFIGURATION



CHARACTERISTICS

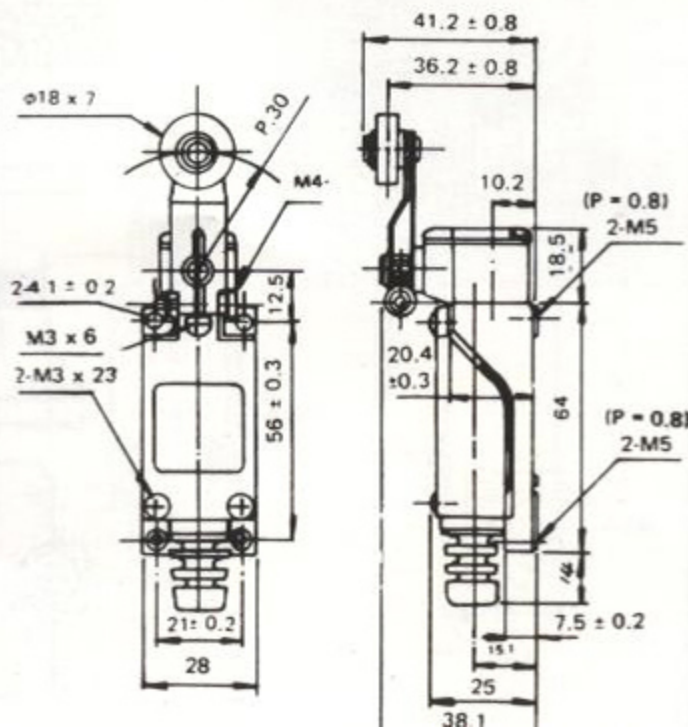
Operating speed	5mm to 50cm/s
Operating frequency	120 operations/min
Contact resistance	25mΩ (initial)
Insulation resistance	100MΩ min. (at 500 VDC)
Dielectric strength	1,000 VAC, 50/60Hz for 1 minute between non-continuous terminals 1,500 VAC, 50/60Hz for 1 minute between current-carrying and non-current-carrying parts and between each terminal and ground
Vibration	10 to 55Hz, 1.5mm double amplitude
Shock	Approx. 300m/s ² (approx. 30G's)
Ambient temperature	Operating: -5 to +65°C
Humidity	95% RH max.
Service life	Mechanically: 10,000,000 operations min. Electrically: 500,000 operations min.
Weight	Approx. 130 to 190g
Degree of protection	IEC : IP65

OPERATING CHARACTERISTICS

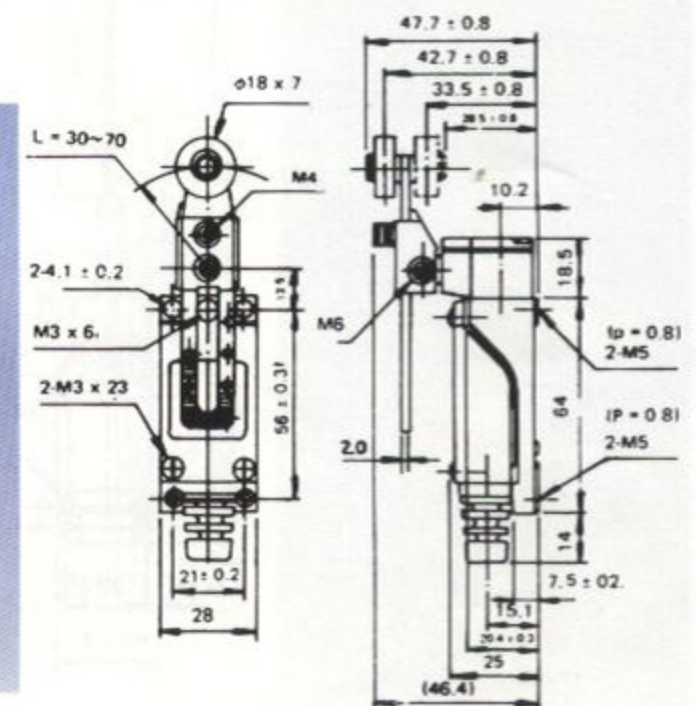
Operating characteristics	Type	VZ-8104	VZ-8108	VZ-8107	VZ-8111	VZ-8112 VZ-8122	VZ-8166 VZ-8167 VZ-8168 VZ-8169
	OF max.		750g	750g	750g	900g	900g
RF min.		100g	100g	100g	150g	150g	—
PT max.		20°	20°	20°	1.5mm	1.5mm	30mm
OT min.		50°	50°	50°	4mm	4mm	—
MD Max,		12°	12°	12°	1mm	1mm	—
OP		—	—	—	26 ± 0.8mm	37 ± 0.8mm	—

DIMENSIONS (unless otherwise specified, a tolerance of ± 0.4mm applies to all dimensions.)

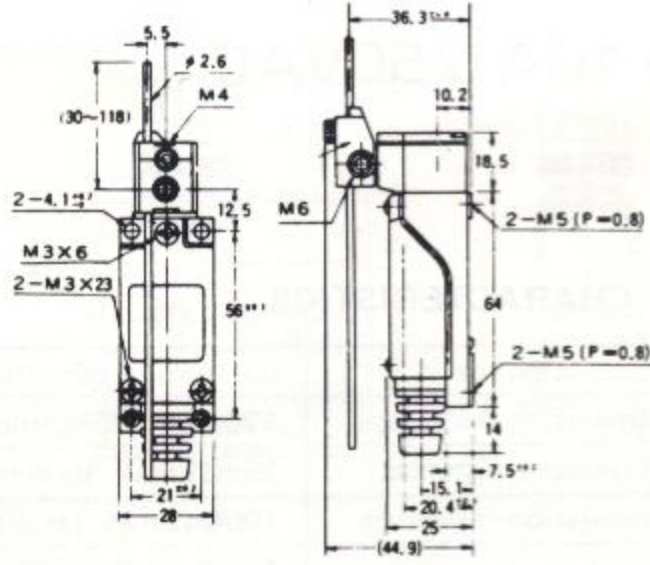
VZ-8104



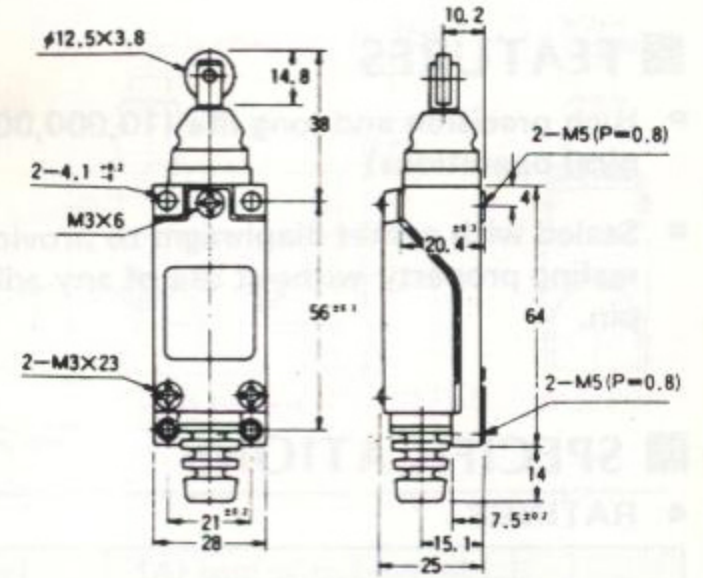
VZ-8108



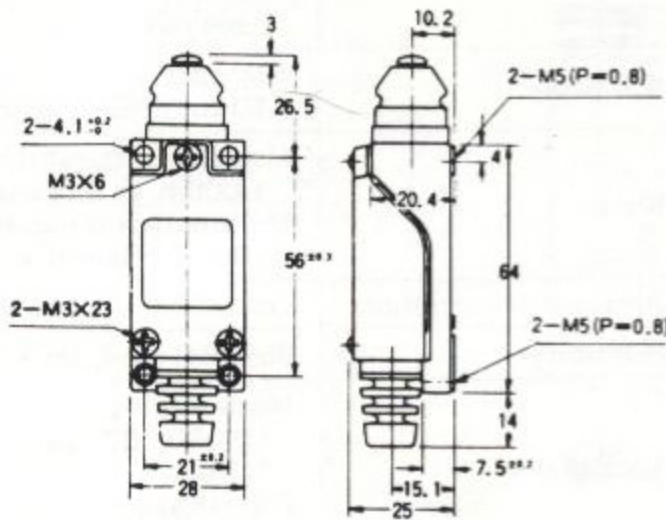
VZ-8107



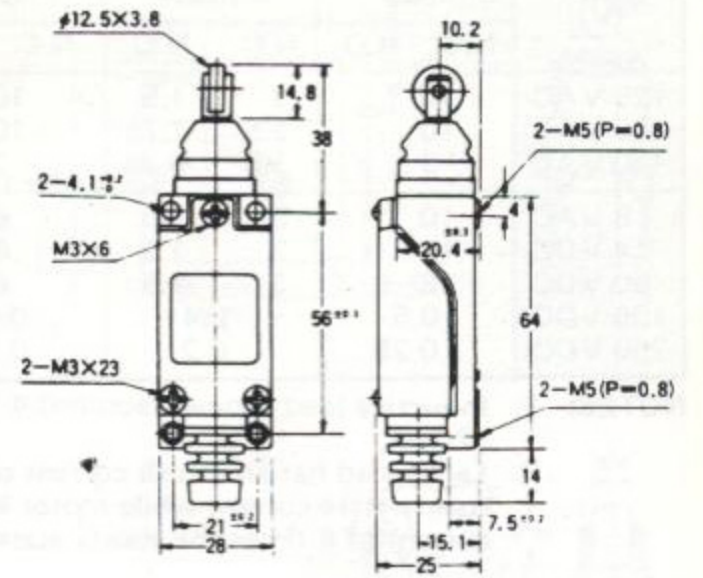
VZ-8112



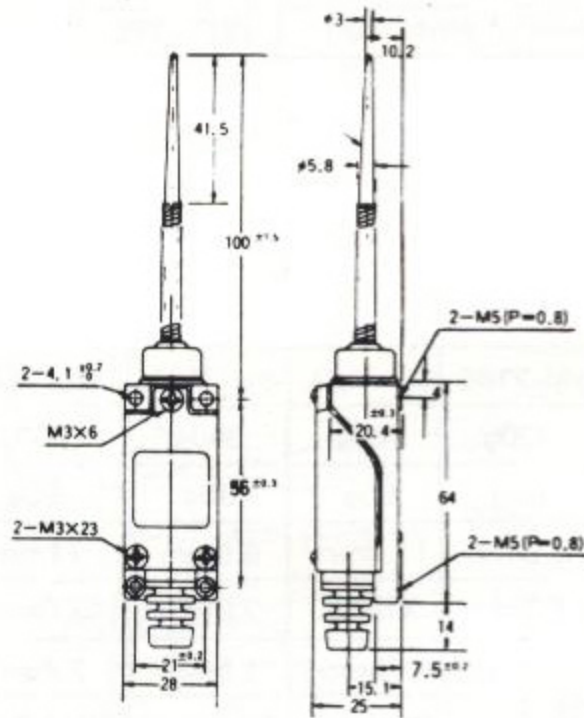
VZ-8111



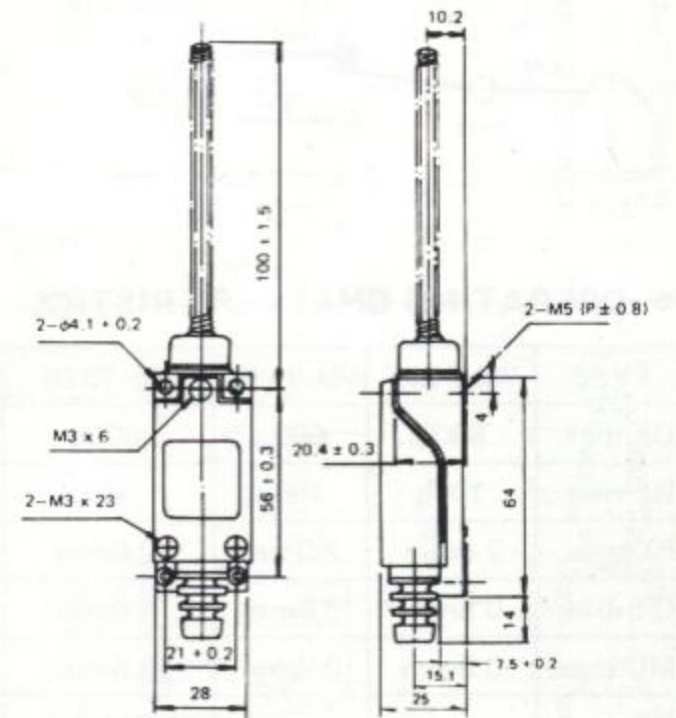
VZ-8122



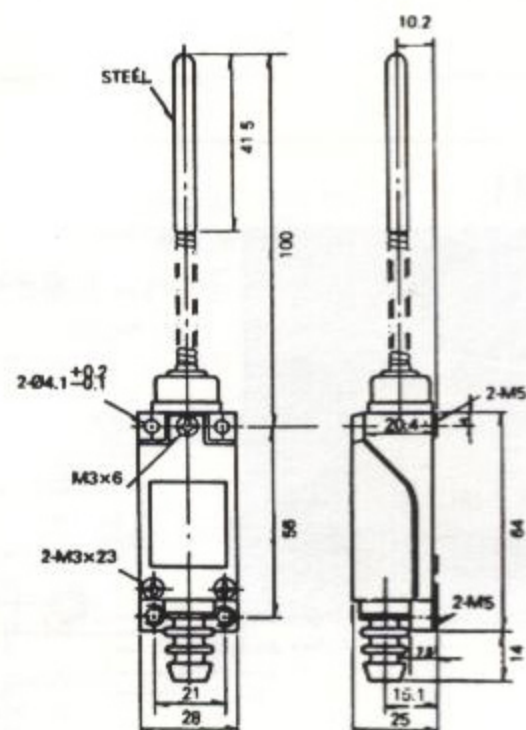
VZ-8166



VZ-8167



VZ-8168



VZ-8169

