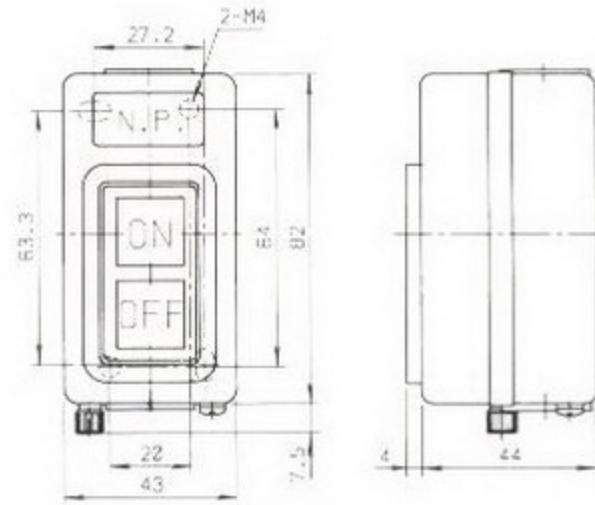
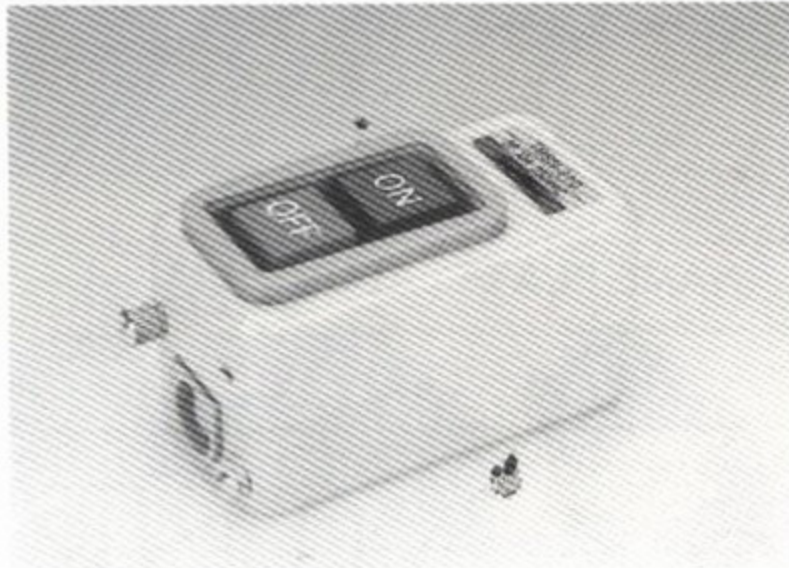


# POWER PUSH BUTTON SWITCH

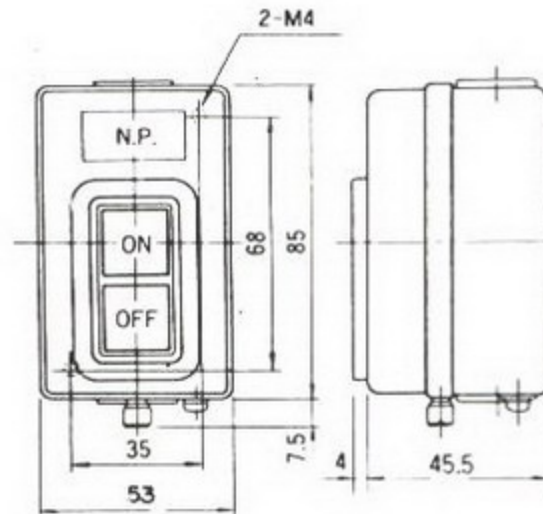
## MODELS AVAILABLE

Type	Rating	Mounting Type	Screw Terminal	Material
VPB-10	3φ10A 1.5KW	Flush Mounting	M3.5	Iron
VPB-15, VPB-15C	3φ15A 2.2KW	"	M4	"
VPB-30	3φ30A 3.7KW	"	M5	"

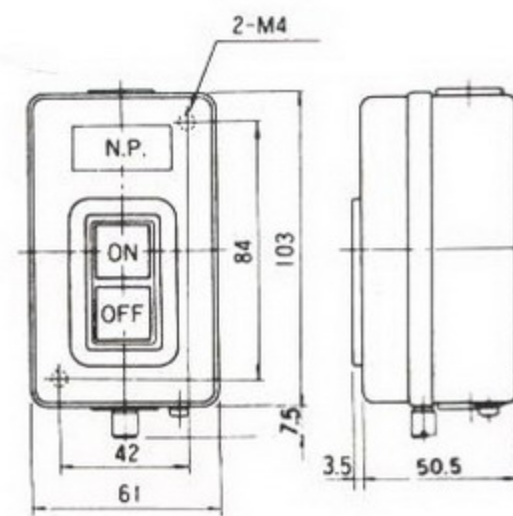
### VPB-10 VPB-15C



### VPB-15



### VPB-30



Type	B-2 I	B-2 O	B-3 I	B-3 Δ	B-3 F	Button color
Pushbutton switch						Green
Rated capacity AC. 600V. 3A						
Dimensions (L x W x H) mm	(80 x 42 x 40)	(80 x 42 x 40)	(100 x 42 x 40)	(100 x 42 x 40)	(100 x 42 x 40)	
Contact arrangement	1NO-1NC		2NO-1NC	* With Electrically interlocked		
						Red